



AC INDUCTION MOTOR DATA SHEET

Model No.or RFQ No.		Item No.		Rev. No. [0]			
Project Name		Project No.		Quantity sets			
GENERAL SPECIFICATION			PERFORMANCE DATA				
Frame Size	280LL		Rated Output	200 kW 268 HP			
Type	HS-200/2		Number of Poles	2			
Enclosure(Protection)	Totally Enclosed (IP55)		Rotor Type	Squirrel Cage			
Method of Cooling	IC411(FC)		Starting Method*	<input type="checkbox"/> D.O.L <input type="checkbox"/> Y- Δ			
Rated Frequency	60 Hz		Rated Voltage	440 V	380 V 220 V		
Number of Phases	3		Current	Full Load	301.9 A 349.6 A 603.8 A		
Insulation Class	<input checked="" type="checkbox"/> F <input type="checkbox"/> B <input type="checkbox"/> H			Locked-rotor**	630 % 630 % 630 %		
Temp. Rise at full load (by resistance method)			Efficiency				
at 1.0 S.F 80 deg. C			50% Load 93.8 %				
Motor Location <input checked="" type="checkbox"/> Indoor <input type="checkbox"/> Outdoor			75% Load 94.9 %				
Altitude Less than 1000 meter			100% Load 95.0 %				
Relative Humidity Less than 80 %			Power Factor(p.u)				
Ambient Temp. 40 deg. C (Max.)			50% Load 0.912				
Duty Type Continuous (S1)			75% Load 0.915				
Service Factor 1.15			100% Load 0.915				
Mounting <input checked="" type="checkbox"/> B3 <input type="checkbox"/> B5 <input type="checkbox"/> V1 <input type="checkbox"/> B3/B5			Speed at Full Load 3570 r.p.m				
Bearing	Type	Anti-Friction		Torque			
	DE/N-DE	6314C3 / 6314C3		Full Load	54.6 kg-m		
	Lubricant	Grease(Gadus S2 V 100 2)		Locked-rotor**	150 %		
External Thrust Not applicable			Breakdown** 230 %				
Coupling Method <input checked="" type="checkbox"/> Direct <input type="checkbox"/> V-Belt			Moment of Inertia (J)				
Shaft Extension <input checked="" type="checkbox"/> Single <input type="checkbox"/> Double			Load(Max.) 19.550 kg-m ²				
Terminal Box	Main	<input type="checkbox"/> Steel <input checked="" type="checkbox"/> Cast Iron	Motor 3.595 kg-m ²				
	Aux.	<input type="checkbox"/> Yes <input checked="" type="checkbox"/> No	Sound Pressure Level (No-load & mean value at 1m from motor)				
	Location	Refer to Outline Drawing		92 dB(A)			
Application			Vibration 2.2 mm/sec (r.m.s)				
Area classification Non-Hazardous			Permissible number of consecutive starts				
Type of Ex-Protection Not applicable			Cold 3 times				
Applicable Standard KS,IEC,NEMA MG1 Part30(Vpeak)			Hot 2 times				
			Paint	Munsell No.	4.0PB5.4/5.5(VL-451)		
ACCESSORIES			SUBMITTAL DRAWING				
			Outline Dimension Drawing \ Motor Weight(Approx.)				
			B3	TJ8XAC51	1100 kg		
			Main T-Box Ass'y 3M-016882				
SPARE PARTS			REMARK High Efficiency				
			*. For use on PWM VFD 10:1VT, 3:1CT@1.0S.F&F Temp. rise				
			Date	DSND	CHKD	CHKD	APPD
			2010-05-28	R.G. KIM	O.J. KIM	J.H. KIM	K.J. KANG

Note: Others not mentioned in this data sheet shall be in accordance with maker standard.
 Above technical data are only design values and shall be guaranteed with tolerance of applicable standard.
 Inspection and performance test shall be maker standard, if not mentioned.
 * In case of Inverter-Fed Motor, performance data is based on sine wave tests.
 ** Data is based on when the motor is supplied at rated voltage & frequency, and the data is expressed as a percentage of full-load value.



PERFORMANCE CURVE

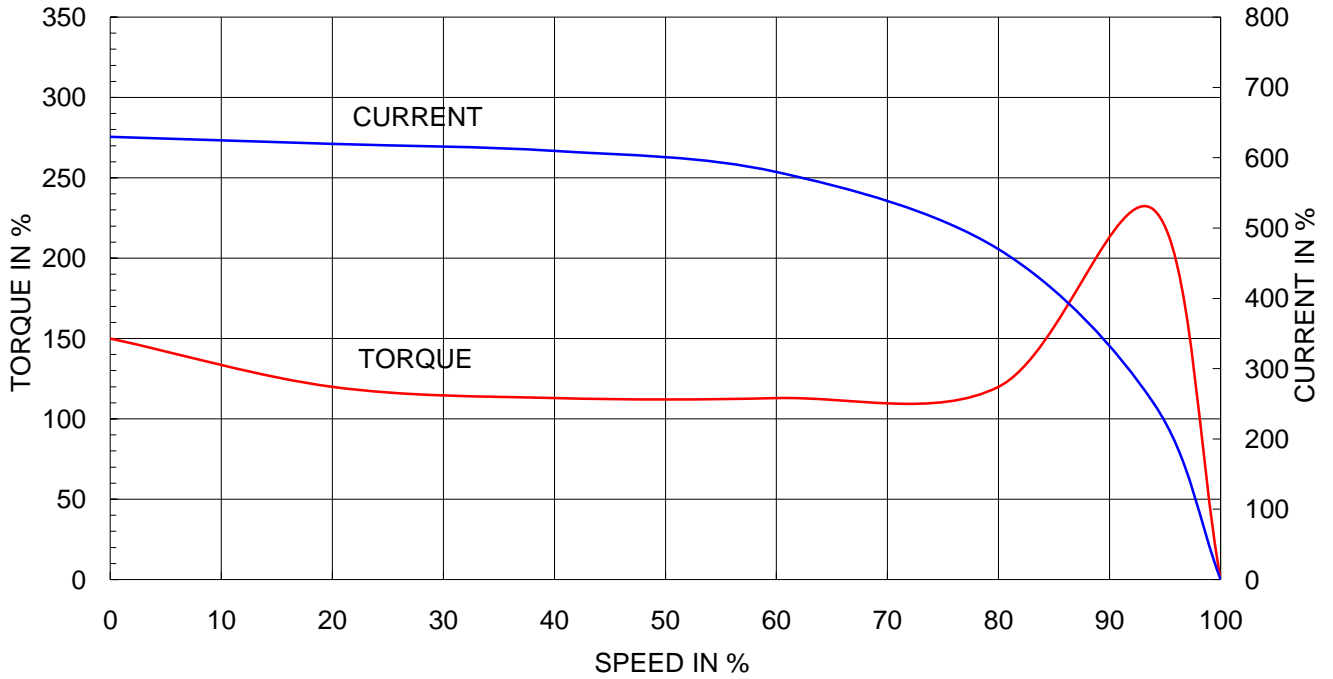
CURVE NO.

P-HS-200/2

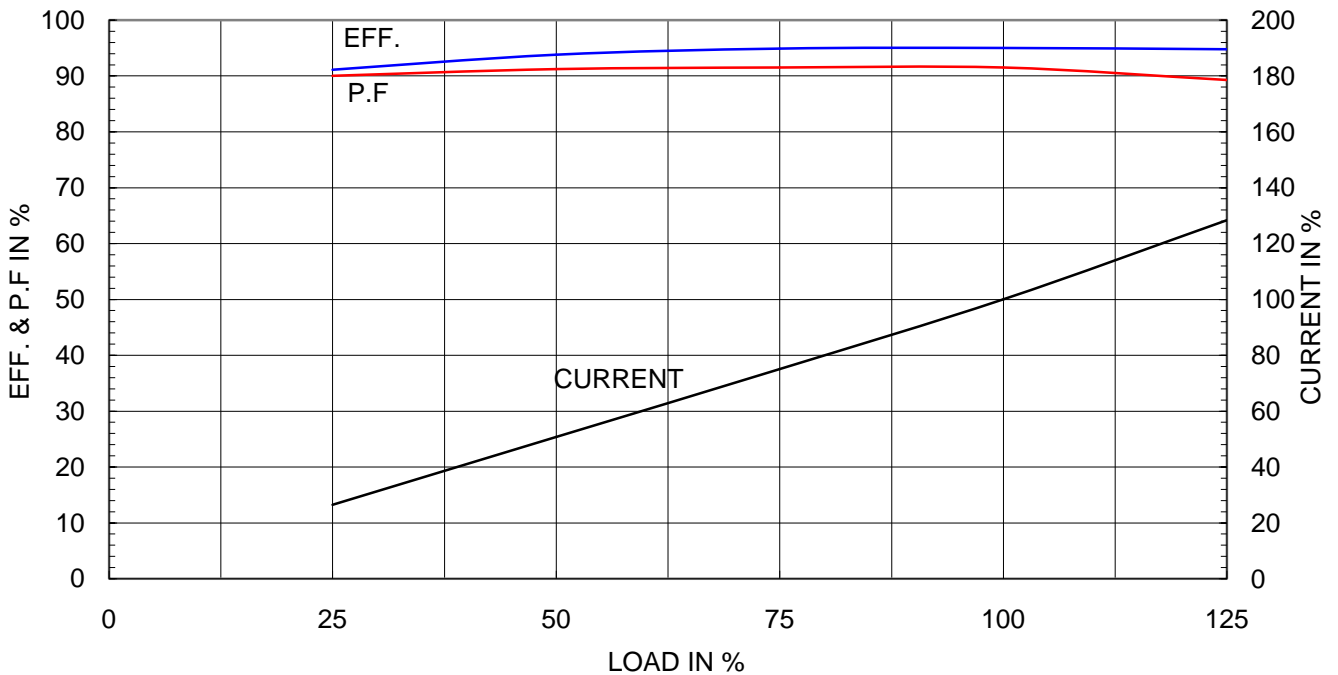
Type	:	HS
Full Load Torque	:	54.6 Kg.m
Motor moment of Inertia (J)	:	3.595 Kg.m ²
Load moment of Inertia (J)	:	19.550 Kg.m ²

200 kW	2 P	60 Hz	
Speed at Full Load :		3570 RPM	
Rated Voltage	440V	380V	220V
Full Load Current	301.9A	349.6A	603.8A

SPEED VS TORQUE & CURRENT CURVE



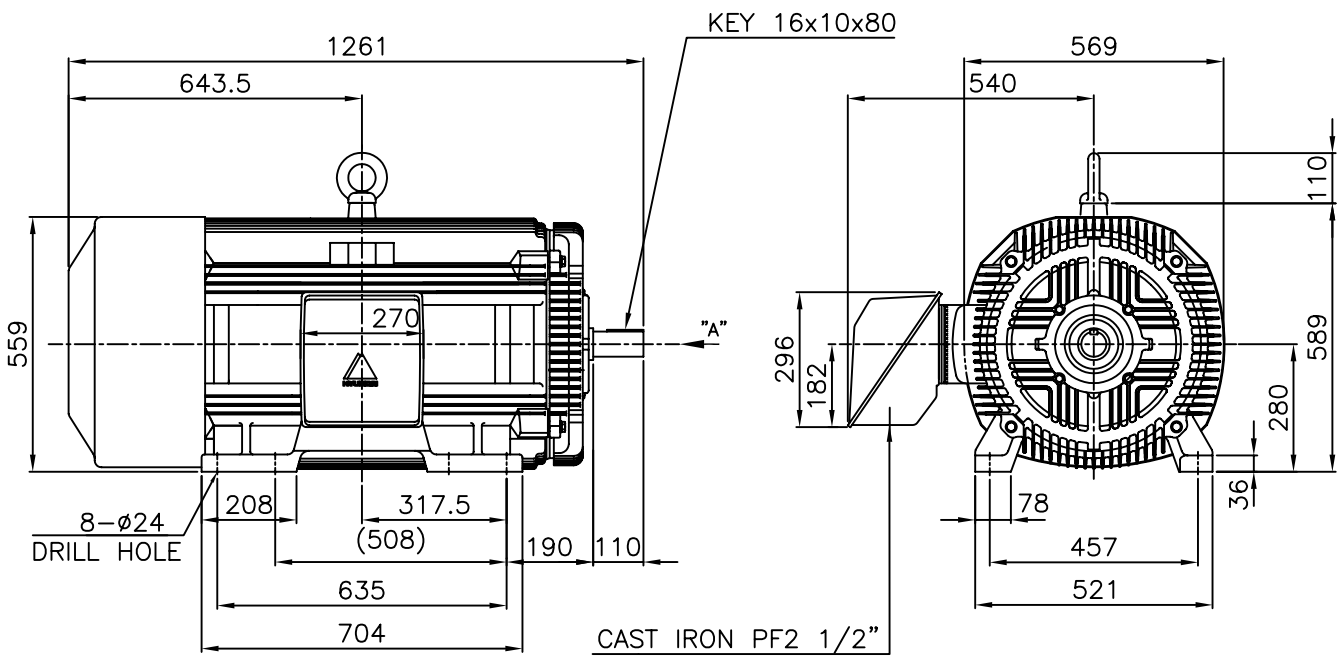
OUTPUT VS EFF., P.F & CURRENT CURVE



본 도면은 현대중공업(주) 재산이므로
허가없이 복사할 수 없음 (취급유의)

THIS DRAWING IS PROPRIETARY TO HHI. NO PART OF THIS DRAWING
MAYBE REPRODUCED WITHOUT THE PERMISSION OF HHI.

		<h1>TEFC</h1>		TYPE (1) TNB , TDB CAST IRON FRAME
		THREE PHASE INDUCTION MOTOR		

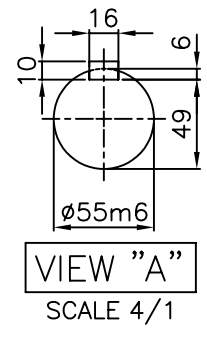


NOTE

1.TOLERANCE :

CENTER HEIGHT	280	$\begin{matrix} 0 \\ -1.0 \end{matrix}$
BASE HOLE	$\phi 24$	$\begin{matrix} +0.43 \\ 0 \end{matrix}$
SHAFT DIAMETER	$\phi 55$	$\begin{matrix} +0.030 \\ +0.011 \end{matrix}$
KEYWAY WIDTH	16	$\begin{matrix} -0.018 \\ -0.061 \end{matrix}$
KEYWAY DEPTH	6	$\begin{matrix} +0.2 \\ 0 \end{matrix}$
KEY WIDTH	16	$\begin{matrix} 0 \\ -0.043 \end{matrix}$
KEY HEIGHT	10	$\begin{matrix} 0 \\ -0.090 \end{matrix}$

2.The type (1)-"TNB , TDB" is for HHI's standard products and it can be changed for customer's requirements or detail designing.

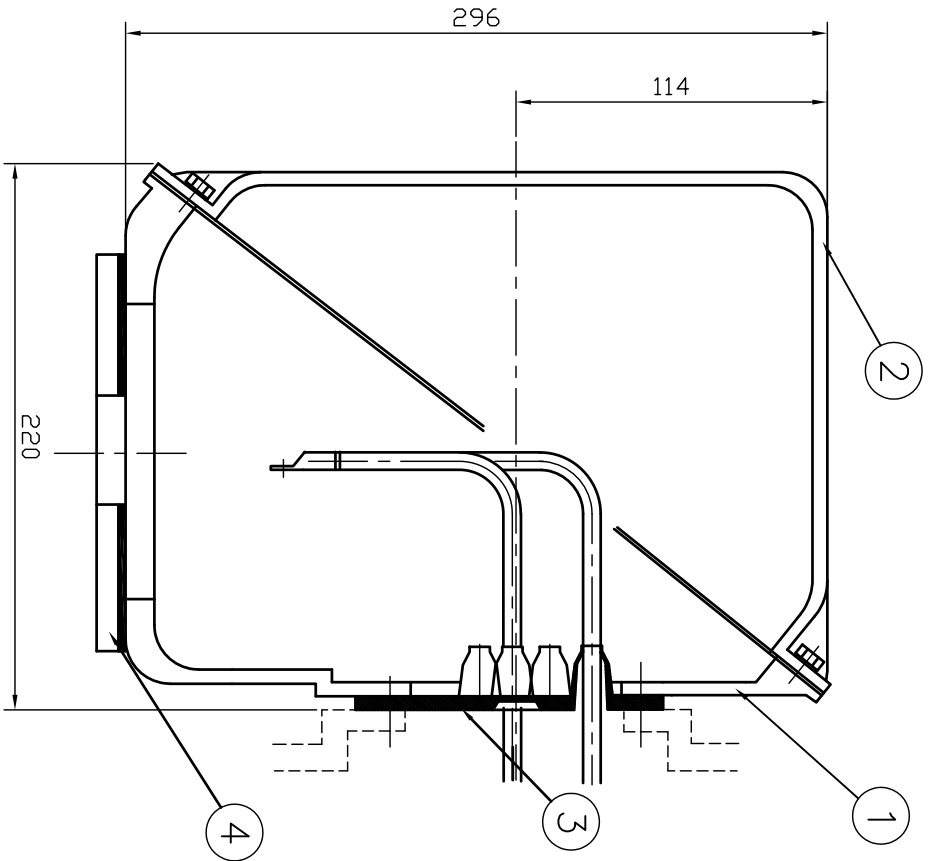
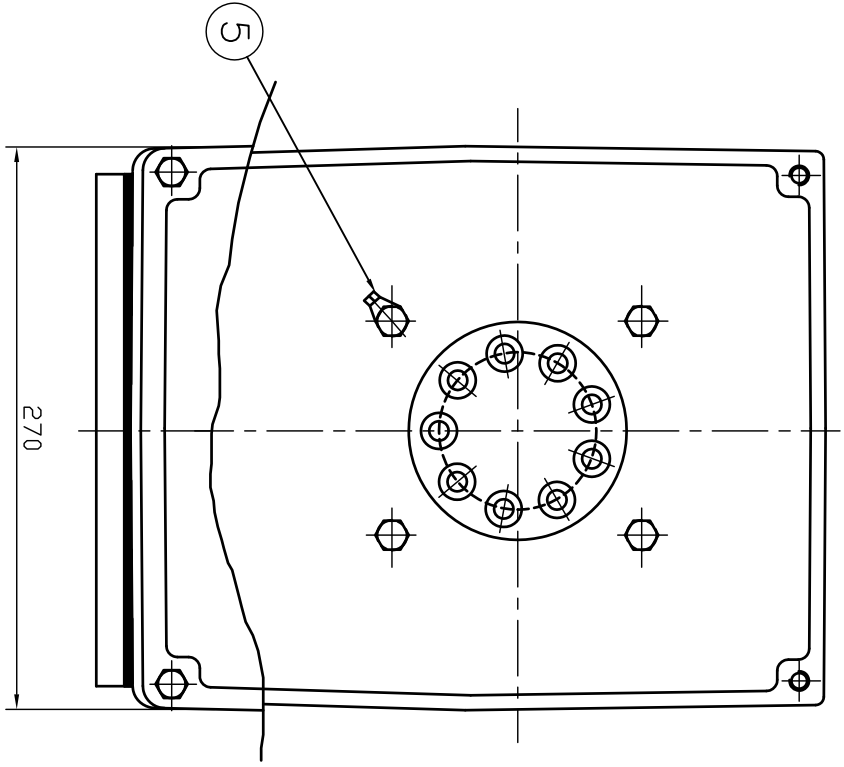


TEFC STANDARD

CAD PROJ	FILE
MMSTDMTR	TJ8XAC51

APPD BY	KANG K.J.	UNIT	MM
CHKD BY	KIM O.J.	SCALE	1/17
CHKD BY		PROJEC'N	3rd Angle
DSND BY	KIM RYANG GYU	DATE	2003.08.30

SUBJECT	KS Fr.280LL TEFC
TITLE	OUTLINE THREE-PHASE INDUCTION MOTOR
REF. NO	L2-Series
DWG NO	TJ8XAC51
Sheet No.	of
Revision No.	0



REV	DATE	CONTENTS	REV'D BY	CHKD BY	Q.P. CHK	APPD BY
1						

QTY	DESCRIPTION	MATERIAL	DIMENSION	WEIGHT	PART NO.	REMARK	NO.
1	EARTH TERMINAL LUG						5
1	CABLE ENTRY PLATE						4
1	GASKET	NBR					3
1	TERMINAL BOX COVER	CAST IRON					2
1	TERMINAL BOX BODY	CAST IRON					1

APPD BY	권진오	UNIT	MM
Q.P. CHK	주영철	SCALE	NONE
CHKD BY	권오철	PROJEC'N	3 권(3rd Angle)
DSND BY	김헌태	DATE	92.06.05

TITLE	TERMINAL BOX ASS'Y
SUBJECT	HLA6 - 250,280Fr.
REF. NO	3M-016882
DWG NO	3M-016882
REV. NO	Sheet No. of
	Revision No.

