

AC INDUCTION MOTOR DATA SHEET

Model No. or RFQ No.	Item No.	Rev. No.	[0]
Project Name	Project No.	Quantity	sets

GENERAL SPECIFICATION		PERFORMANCE DATA			
Frame Size	180L	Rated Output	18.5 kW 25 HP		
Type	HS	Number of Poles	6		
Enclosure(Protection)	Totally Enclosed (IP55)	Rotor Type	Squirrel Cage		
Method of Cooling	IC411(FC)	Starting Method*	<input checked="" type="checkbox"/> D.O.L <input type="checkbox"/> Y- Δ		
Rated Frequency	60 Hz	Rated Voltage	440 V	380 V	220 V
Number of Phases	3	Current	Full Load	34.2 A	39.6 A 68.3 A
Insulation Class	<input checked="" type="checkbox"/> F <input type="checkbox"/> B <input type="checkbox"/> H	Locked-rotor**	680 %	680 %	680 %
Temp. Rise at full load (by resistance method)		Efficiency			
at 1.0 S.F	80 deg. C	50% Load		91.2 %	
Motor Location	<input checked="" type="checkbox"/> Indoor <input type="checkbox"/> Outdoor	75% Load		92.0 %	
Altitude	Less than 1000 meter	100% Load		91.7 %	
Relative Humidity	Less than 80 %	Power Factor(p.u)			
Ambient Temp.	40 deg. C (Max.)	50% Load		0.651	
Duty Type	Continuos (S1)	75% Load		0.736	
Service Factor	1.15	100% Load		0.775	
Mounting	<input checked="" type="checkbox"/> B3 <input type="checkbox"/> B5 <input type="checkbox"/> V1 <input type="checkbox"/> B3/B5	Speed at Full Load		1175 r.p.m	
Bearing	Type	Anti-Friction			
	DE/N-DE	6312ZZC3 / 6310ZZC3			
	Lubricant	Grease(Polyrex-EM)			
External Thrust	Not applicable				
Coupling Method	<input checked="" type="checkbox"/> Direct <input type="checkbox"/> V-Belt	Torque			
Shaft Extension	<input checked="" type="checkbox"/> Single <input type="checkbox"/> Double	Full Load		15.3 kg-m	
Terminal Box	Main	<input type="checkbox"/> Steel <input checked="" type="checkbox"/> Cast Iron		Locked-rotor**	
	Aux.	<input type="checkbox"/> Yes <input checked="" type="checkbox"/> No		160 %	
Location	Refer to Outline Drawing				
Application		Breakdown**		250 %	
Area classification	Non-Hazardous	Moment of Inertia (J)			
Type of Ex-Protection	Not applicable	Load(Max.)		33.000 kg-m ²	
Applicable Standard	KS,IEC,NEMA MG1 Part30(Vpeak)	Motor		0.257 kg-m ²	
ACCESSORIES		Sound Pressure Level (No-load & mean value at 1m from motor)			
		68 dB(A)			
		Vibration			
		2.2 mm/sec (r.m.s)			
		Permissible number of consecutive starts		Cold	
		Hot		2 times	
		Paint	Munsell No.	4.0PB5.4/5.5(VL-451)	

ACCESSORIES		SUBMITTAL DRAWING			
		Outline Dimension Drawing \ Motor Weight(Approx.)			
		B3	227B2000AB08	181	kg
		B5	227B2020AB08	194	kg
		V1	227B2060AB08	194	kg
		B3/B5	227B2040AB08	194	kg
		Main T-Box Ass'y			
		227B8008LA2			

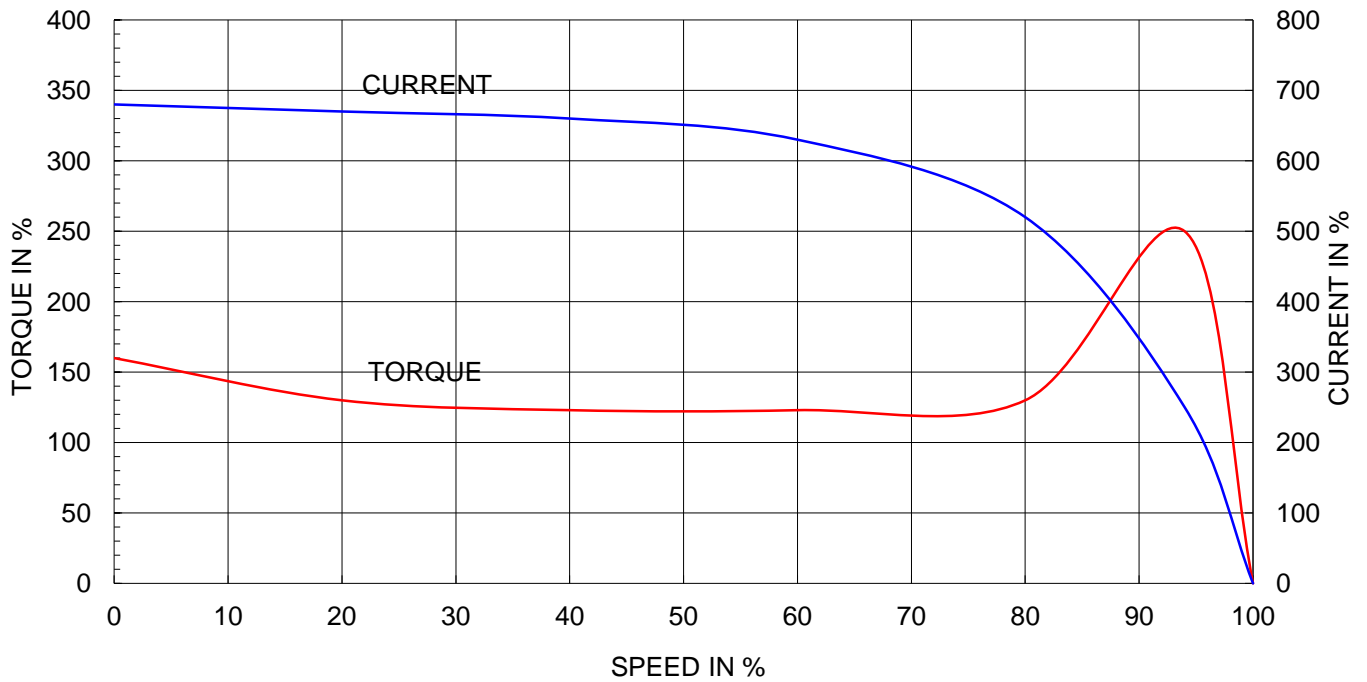
SPARE PARTS		REMARK				
		High Efficiency				
		* For use on PWM VFD 10:1VT, 3:1CT@1.0S.F&F Temp. rise				
		Date	DSND	CHKD	CHKD	APPD
		2011-04-14	W.H.BACK	S. J. RA	O. J. KIM	J. H. KIM

Note: Others not mentioned in this data sheet shall be in accordance with maker standard.
 Above technical data are only design values and shall be guaranteed with tolerance of applicable standard.
 Inspection and performance test shall be maker standard, if not mentioned.
 * In case of Inverter-Fed Motor, performance data is based on sine wave tests.
 ** Data is based on when the motor is supplied at rated voltage & frequency, and the data is expressed as a percentage of full-load value.

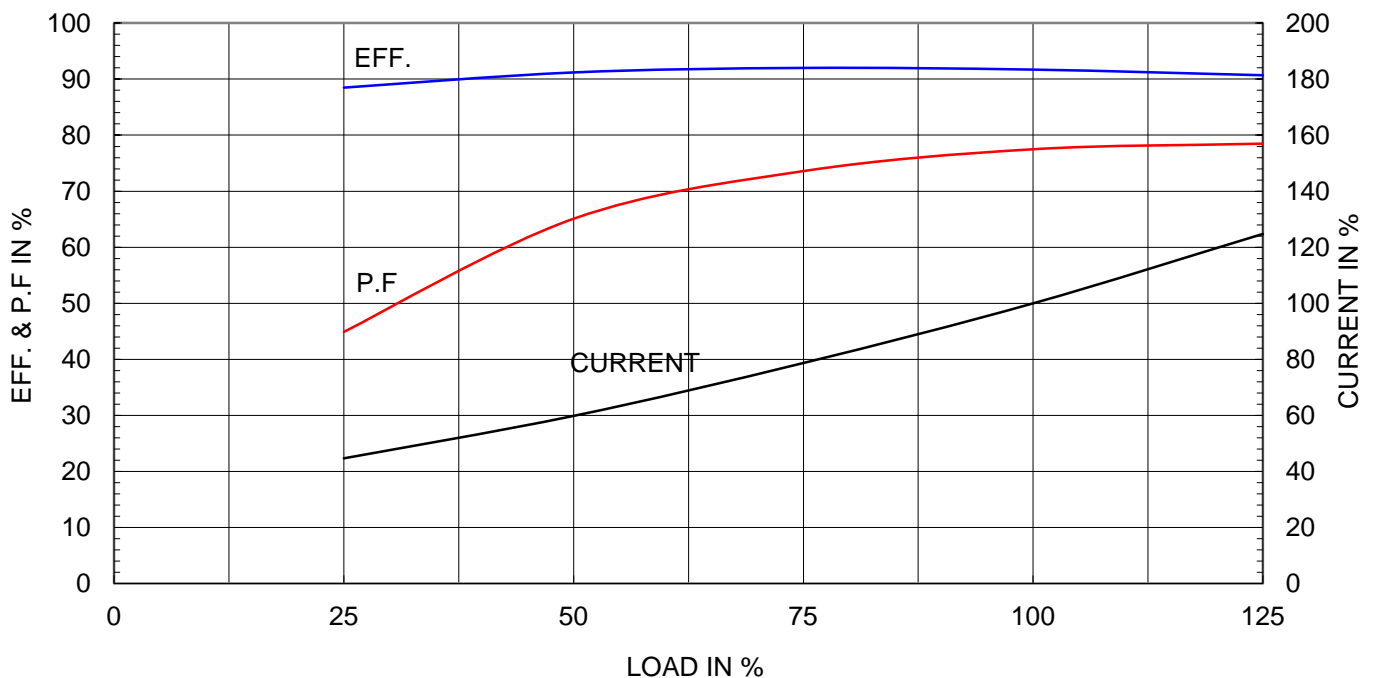
Type	:	HS
Full Load Torque	:	15.3 Kg.m
Motor moment of Inertia (J)	:	0.257 Kg.m ²
Load moment of Inertia (J)	:	33.000 Kg.m ²

18.5 kW	6 P	60 Hz	
Speed at Full Load :		1175 RPM	
Rated Voltage	440V	380V	220V
Full Load Current	34.2A	39.6A	68.3A

SPEED VS TORQUE & CURRENT CURVE



OUTPUT VS EFF., P.F & CURRENT CURVE





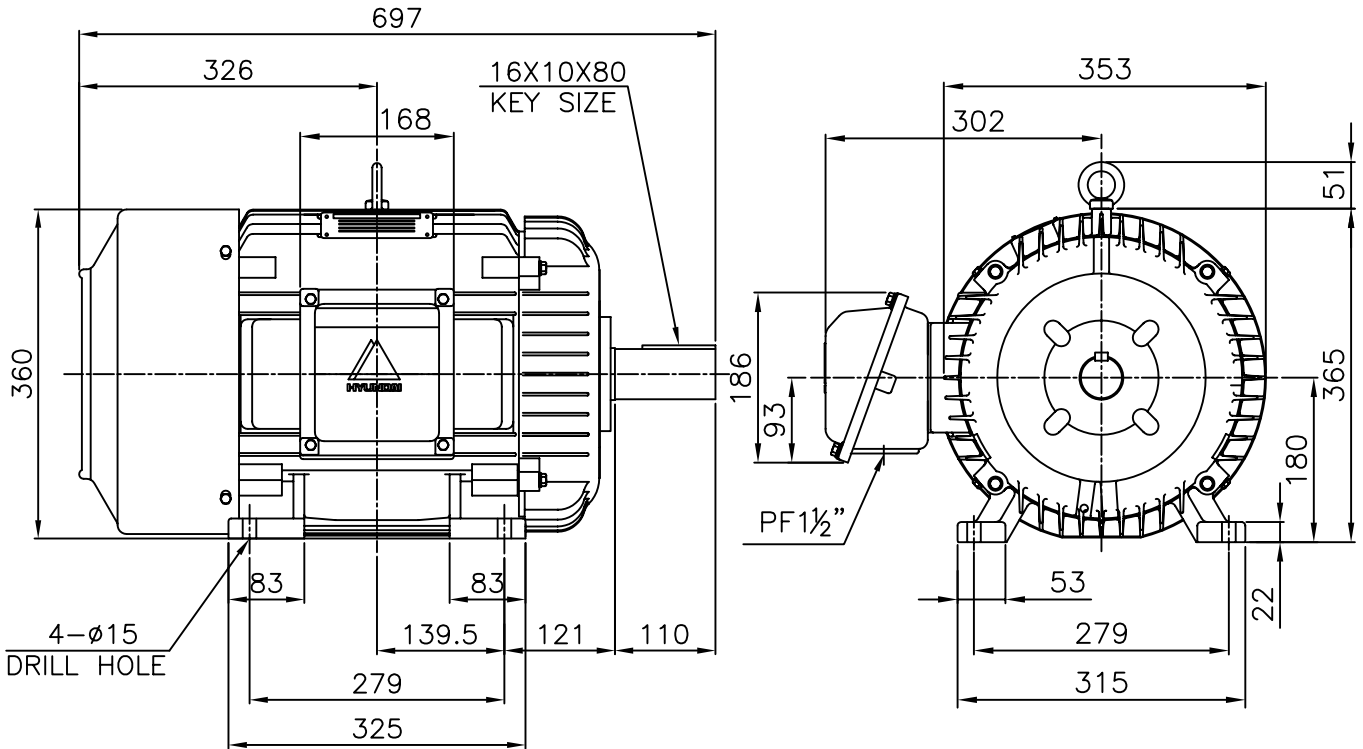
TEFC

THREE PHASE INDUCTION MOTOR

TYPE

HL, HLS

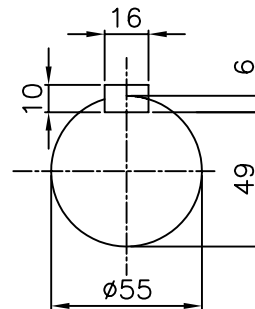
CAST IRON FRAME



NOTE

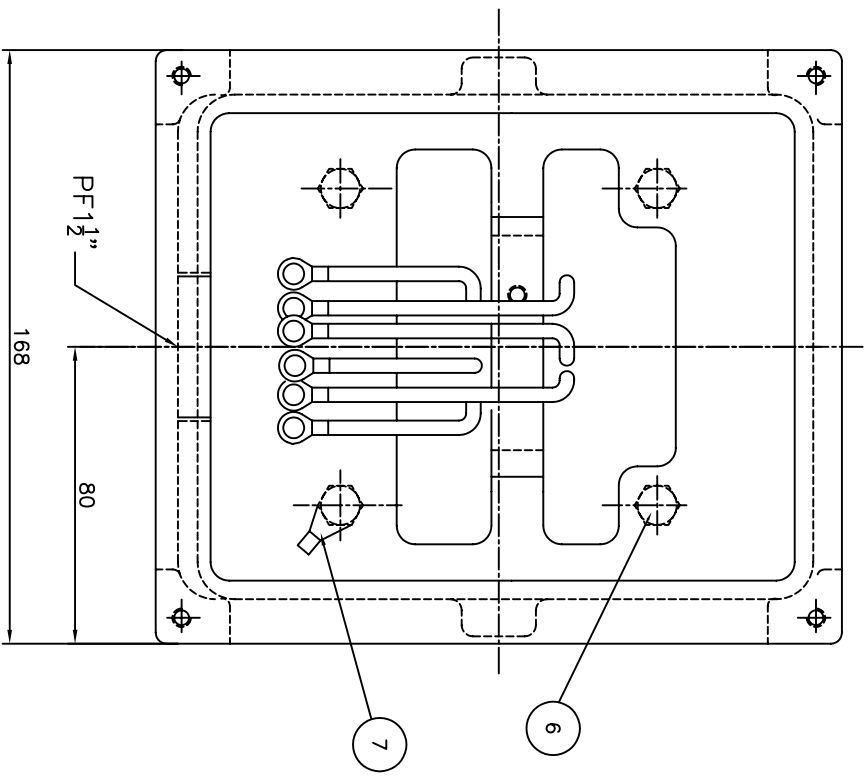
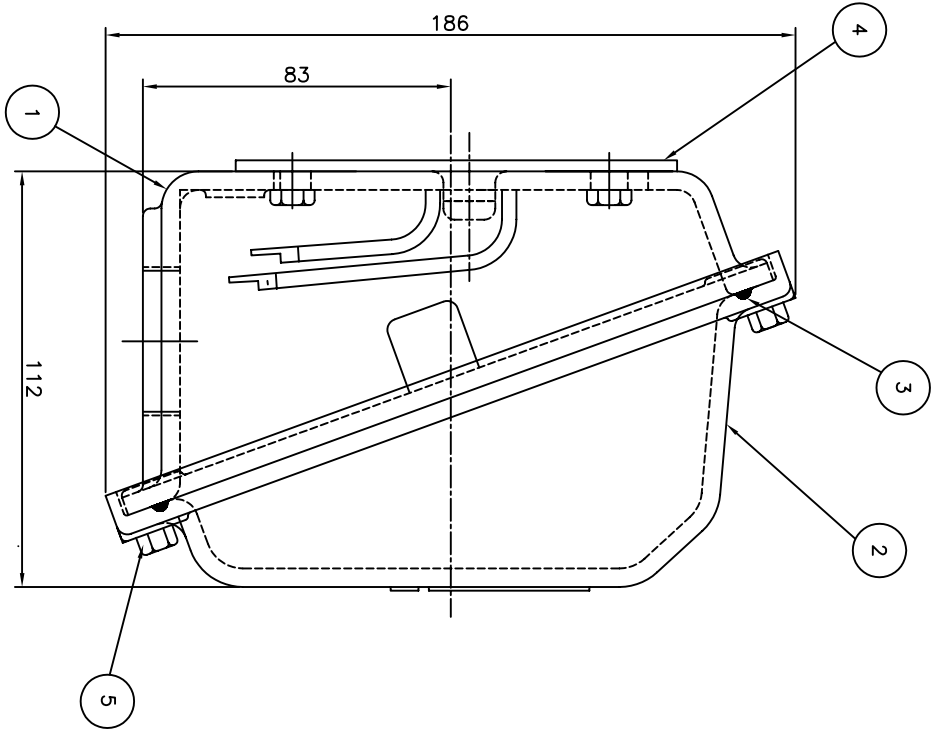
1.TOLERANCE :

CENTER HEIGHT	180	⁰ / _{-0.5}
BASE HOLES	ø15	^{+0.43} / ₀
SHAFT DIAMETER	ø55	^{+0.030} / _{+0.011}
KEYWAY WIDTH	16	⁰ / _{-0.043}
KEYWAY DEPTH	6	^{+0.2} / ₀



CAST IRON CONDUIT BOX

APPD BY	J. H. KIM	UNIT	mm	SUBJECT	KS 180L	CAD PROJ \ FILE
CHKD BY	Y. S. KIM	SCALE	1/8.5			XSDNKS\B2000AB08
CHKD BY	S. H. KO	PROJEC'N	3rd Angle	TITLE OUTLINE		
DSND BY	I. K. KIM	DATE	2007.02.28			
				REF. NO	B2000AB08	Sheet No. of
				DWG NO	227B2000AB08	Revision No. 0



PT	DESCRIPTION	MATERIAL	DIMENSION	Q'TY
1	CONDUIT BOX	FC15	---	1
2	CONDUIT BOX COVER	FC15	---	1
3	O-RING / COVER	EPDM	φ4	1
4	BOX GASKET	NBR	---	1
5	COVER+BOX HEX BOLT	S45C	M6 X L20	4
6	BOX+FRAME HEX BOLT	S45C	M8 X L20	4
7	GROUND TERMINAL LUG	CU	---	1

REV	DATE	CONTENTS	REV'D BY	CHK'D BY	CHK'D BY	APP'D BY
1						
2						
3						
4						

Q'TY	DESCRIPTION	MATERIAL	DIMENSION	WEIGHT	PART NO.	REMARK	NO.
	APP'D BY KIM,Y.S	UNIT	MM				
	CHK'D BY KO,S.H	SCALE	1:1				
	CHK'D BY Y.J.HWANG	PROJEC'N	3*4 (3rd Angle)				
	DSND BY	DATE	2005.02.16				
TITLE		TERMINAL BOX ASSEMBLY					
REF. NO.	227B8008LA2	Sheet No. of					
DWG NO.	227B8008LA2	Revision No.		0			

