

AC INDUCTION MOTOR DATA SHEET

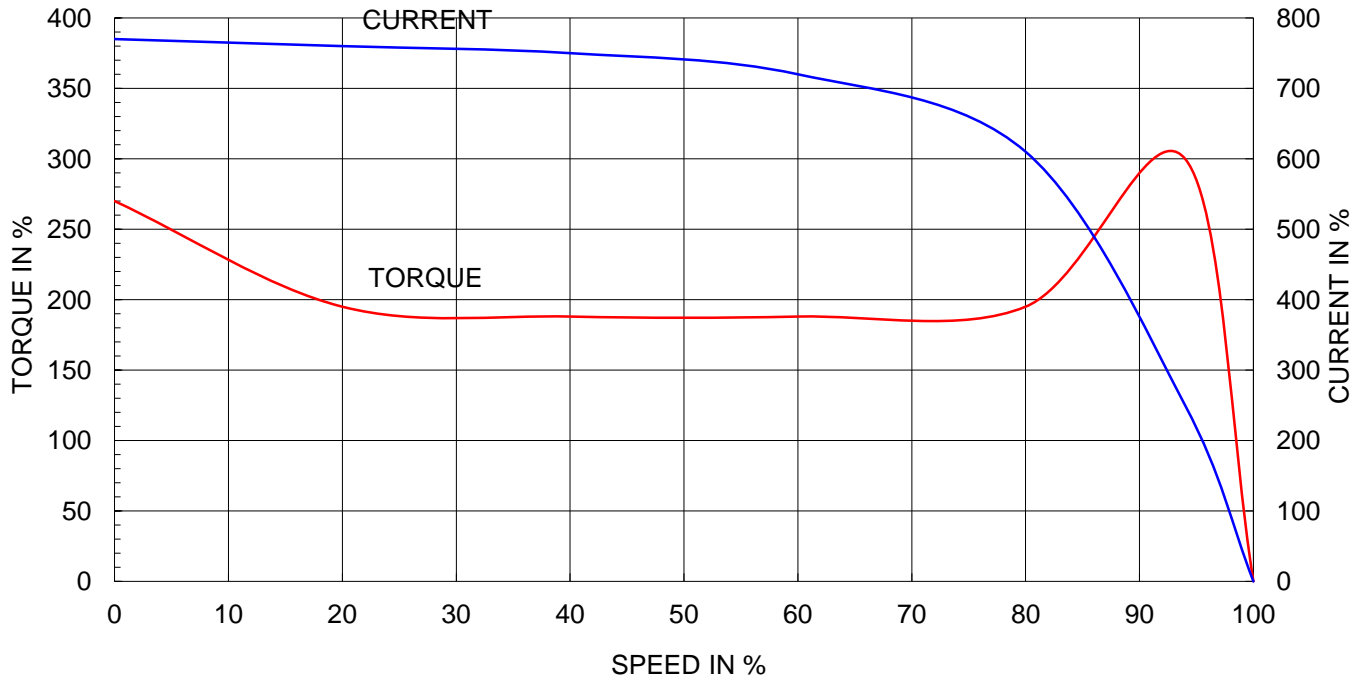
Model No. or RFQ No.		Item No.		Rev. No. [0]			
Project Name		Project No.		Quantity sets			
GENERAL SPECIFICATION			PERFORMANCE DATA				
Frame Size	90L		Rated Output	2.2 kW 3 HP			
Type	HS		Number of Poles	2			
Enclosure(Protection)	Totally Enclosed (IP55)		Rotor Type	Squirrel Cage			
Method of Cooling	IC411(FC)		Starting Method*	<input checked="" type="checkbox"/> D.O.L <input type="checkbox"/> Y- Δ			
Rated Frequency	60 Hz		Rated Voltage	440 V	380 V 220 V		
Number of Phases	3		Current	Full Load	3.9 A 4.6 A 7.9 A		
Insulation Class	<input checked="" type="checkbox"/> F <input type="checkbox"/> B <input type="checkbox"/> H			Locked-rotor**	770 % 770 % 770 %		
Temp. Rise at full load (by resistance method)			Efficiency				
at 1.0 S.F 80 deg. C			50% Load 84.0 %				
Motor Location	<input checked="" type="checkbox"/> Indoor <input type="checkbox"/> Outdoor		75% Load 85.0 %				
Altitude	Less than 1000 meter		100% Load 85.5 %				
Relative Humidity	Less than 80 %		Power Factor(p.u)				
Ambient Temp.	40 deg. C (Max.)		50% Load 0.730				
Duty Type	Continuous (S1)		75% Load 0.817				
Service Factor	1.15		100% Load 0.855				
Mounting	<input checked="" type="checkbox"/> B3 <input type="checkbox"/> B5 <input type="checkbox"/> V1 <input type="checkbox"/> B3/B5		Speed at Full Load 3490 r.p.m				
Bearing	Type	Anti-Friction		Torque			
	DE/N-DE	6205ZZ / 6204ZZ		Full Load 0.6 kg-m			
	Lubricant	Grease(SML4)		Locked-rotor** 270 %			
External Thrust	Not applicable		Breakdown** 300 %				
Coupling Method	<input checked="" type="checkbox"/> Direct <input type="checkbox"/> V-Belt		Moment of Inertia (J)				
Shaft Extension	<input checked="" type="checkbox"/> Single <input type="checkbox"/> Double		Load(Max.) 0.325 kg-m ²				
Terminal Box	Main	<input type="checkbox"/> Steel <input checked="" type="checkbox"/> Aluminium		Motor 0.002 kg-m ²			
	Aux.	<input type="checkbox"/> Yes <input checked="" type="checkbox"/> No		Sound Pressure Level (No-load & mean value at 1m from motor)			
	Location	Refer to Outline Drawing		75 dB(A)			
Application			Vibration 1.6 mm/sec (r.m.s)				
Area classification	Non-Hazardous		Permissible number of consecutive starts				
Type of Ex-Protection	Not applicable		Cold 3 times				
Applicable Standard	KS,IEC,NEMA MG1 Part30(Vpeak)		Hot 2 times				
			Paint	Munsell No.	4.0PB5.4/5.5(VL-451)		
ACCESSORIES			SUBMITTAL DRAWING				
			Outline Dimension Drawing \ Motor Weight(Approx.)				
			B3	227B5000TA03	18 kg		
			Main T-Box Ass'y 227B1537AA				
SPARE PARTS			REMARK				
			High Efficiency				
			* For use on PWM VFD 10:1VT, 3:1CT@1.0S.F&F Temp. rise				
			Date	DSND	CHKD	CHKD	APPD
			2011-04-14	W.H.BACK	S. J. RA	O. J. KIM	J. H. KIM

Note: Others not mentioned in this data sheet shall be in accordance with maker standard.
 Above technical data are only design values and shall be guaranteed with tolerance of applicable standard.
 Inspection and performance test shall be maker standard, if not mentioned.
 * In case of Inverter-Fed Motor, performance data is based on sine wave tests.
 ** Data is based on when the motor is supplied at rated voltage & frequency, and the data is expressed as a percentage of full-load value.

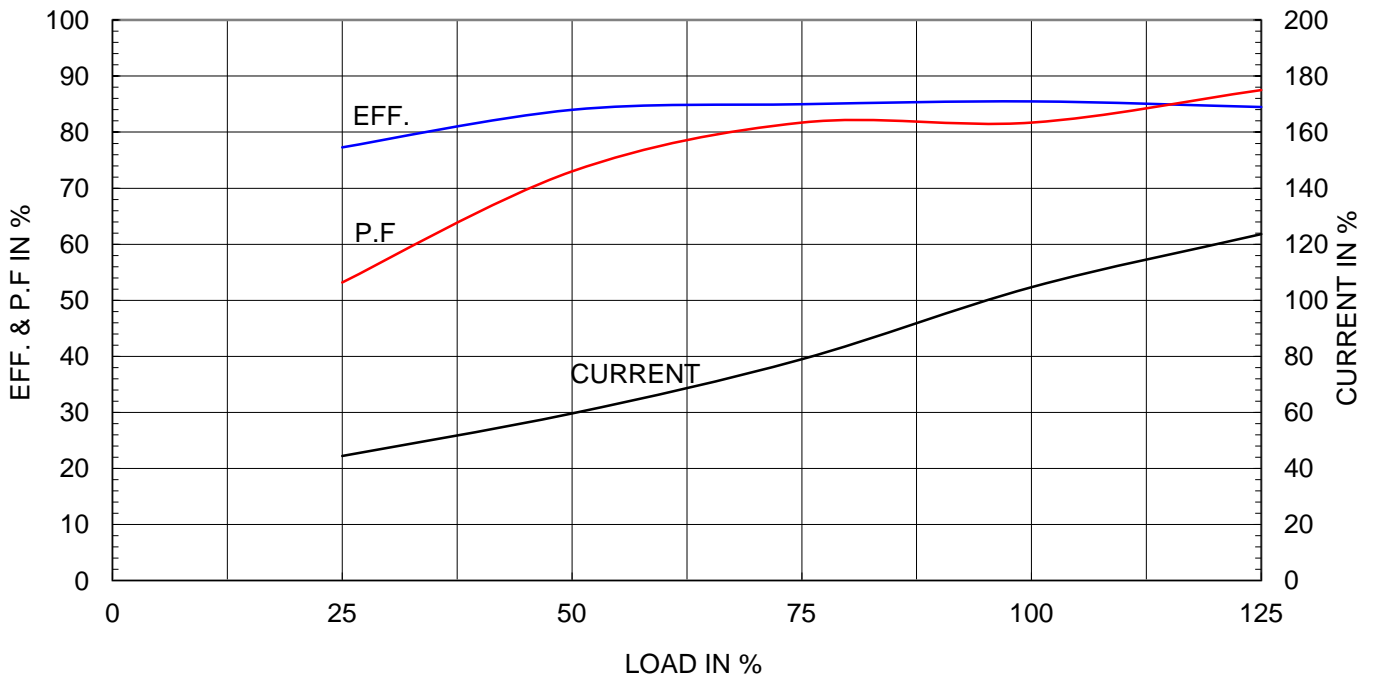
Type	:	HS
Full Load Torque	:	0.6 Kg.m
Motor moment of Inertia (J)	:	0.002 Kg.m ²
Load moment of Inertia (J)	:	0.325 Kg.m ²

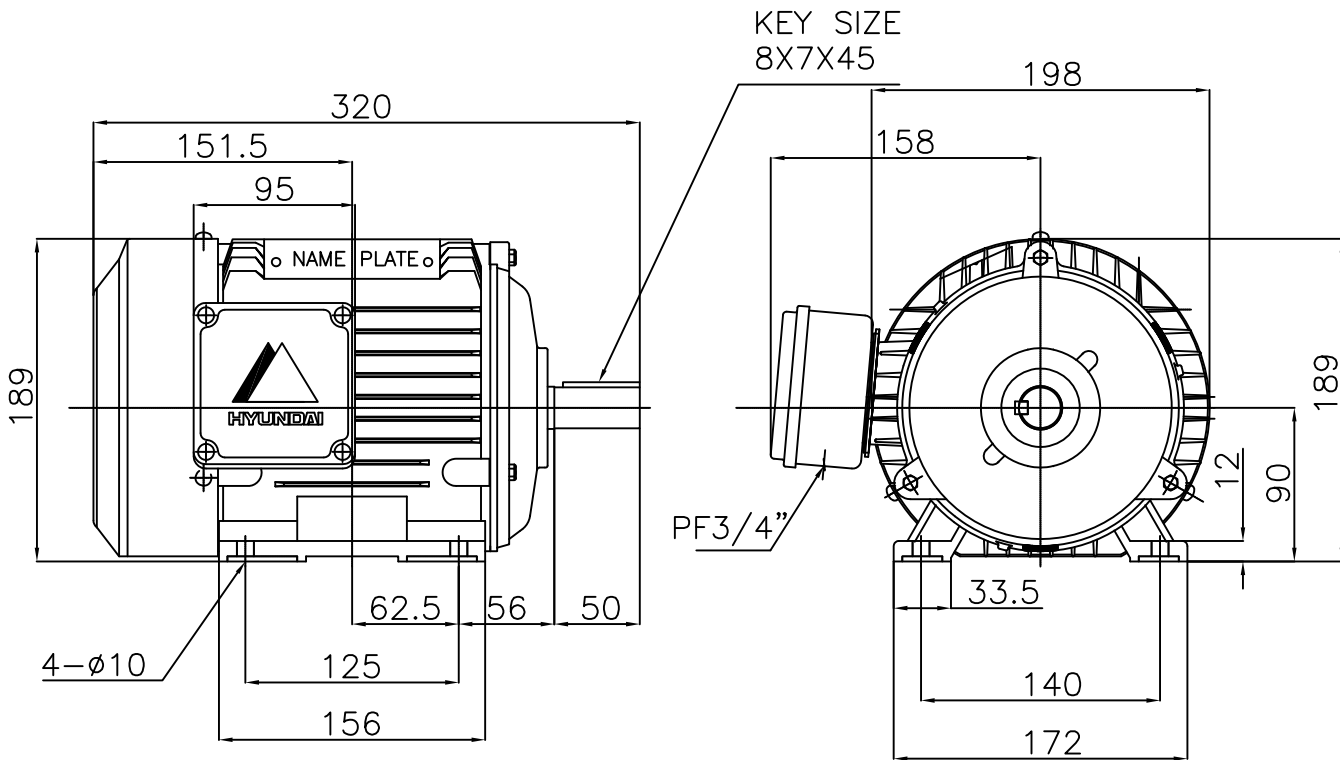
2.2 kW	2 P	60 Hz	
Speed at Full Load :			
3490 RPM			
Rated Voltage	440V	380V	220V
Full Load Current	3.9A	4.6A	7.9A

SPEED VS TORQUE & CURRENT CURVE



OUTPUT VS EFF., P.F & CURRENT CURVE

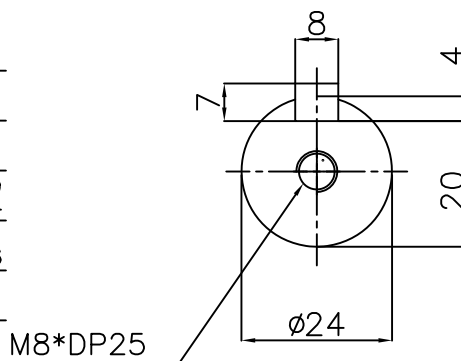




NOTE

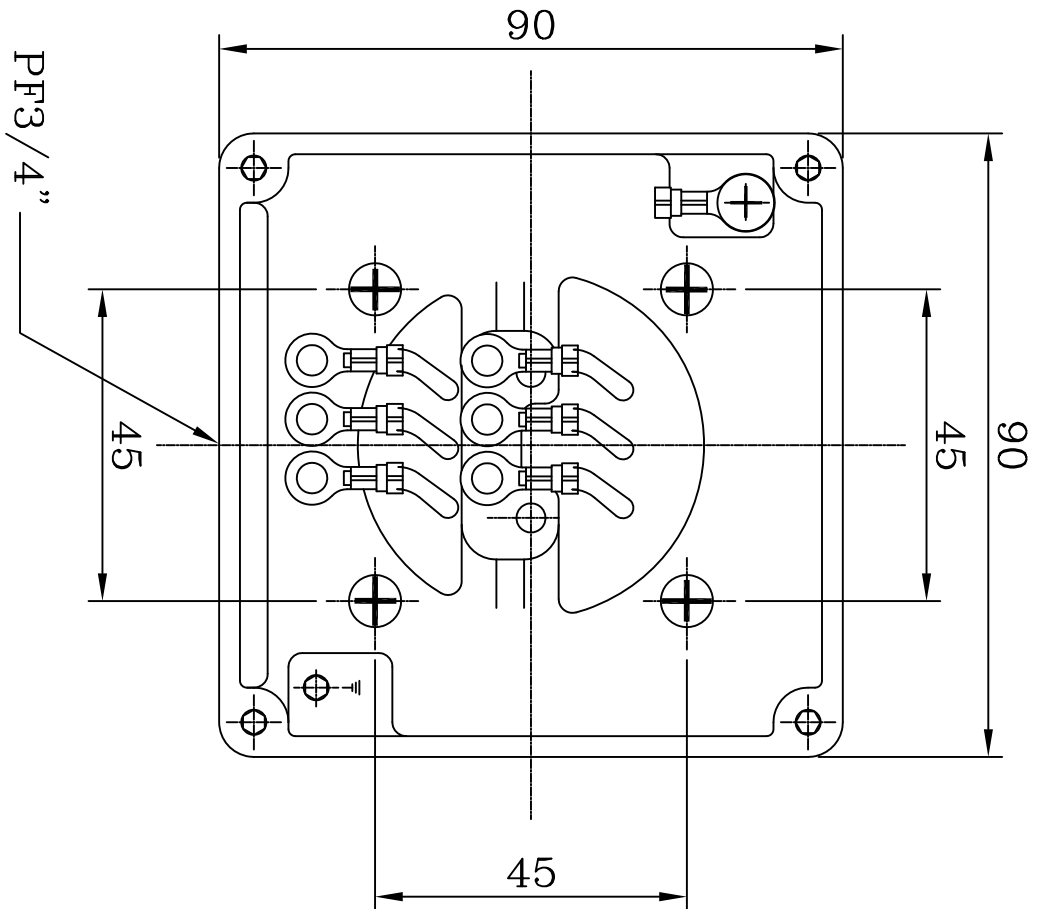
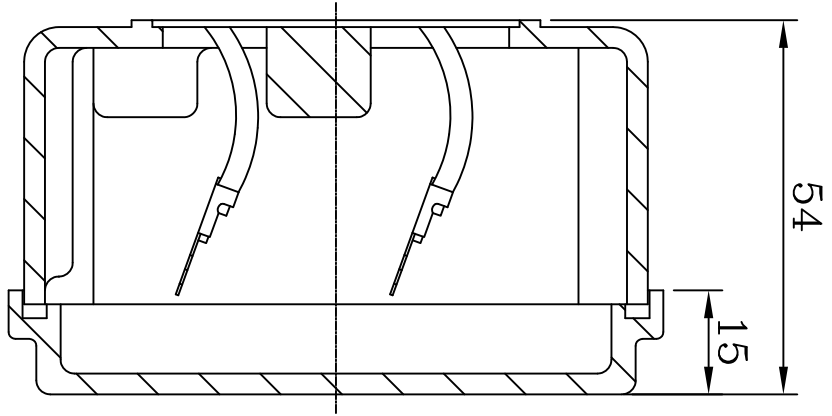
1.TOLERANCE :

CENTER HEIGHT	90	+0	-0.5
BASE HOLES	ø10	+0.36	-0
SHAFT DIAMETER	ø24	+0.009	-0.004
KEYWAY WIDTH	8	+0	-0.036
KEYWAY DEPTH	4	+0.2	-0



*AL CONDUIT BOX

APPD BY	B.M.YOO	UNIT	mm	SUBJECT	IEC 90L	CAD PROJ \ FILE
CHKD BY	S.W.SEO	SCALE	1/5			IP54,55,56
CHKD BY	J.S.JEONG	PROJEC'N	3rd Angle	TITLE OUTLINE		
DSND BY	C.S.KO	DATE	2008.01.12			



REV	DATE	CONTENTS	REVD BY	CHKD BY	CHKD BY	APPD BY
1						
2						
3						
4						

QTY	DESCRIPTION	MATERIAL	DIMENSION	WEIGHT	PART NO.	REMARK	NO.
	APPD BY B. M. YOO						
	CHKD BY S. W. SEO						
	CHKD BY J. S. JEONG						
	DSND BY C. S. KO						
	UNIT	MM					
	SCALE	1/0.98					
	PROJECT N	3 (3rd Angle)					
	DATE	2005.12.05					
TITLE				CONDUIT BOX ASSEMBLY			
SUBJECT				CB ASM (FR71--90)			
DIMENSION				6 LEADS			
WEIGHT				IP95			
PART NO.				227B1537AA1			
REMARK				Sheet No. of			
NO.				Revision No. 0			



227B1537AA1
Revision No. 0